

Nova **x30**

BUILT TO IMPRESS



Neomach



WE PUSH YOUR
WORK FURTHER

AN ESSENTIAL PARTNER

Neomach offers new solutions today thinking of new ones for the future. The target is to become strategic, indispensable partners for our customers.

In greencare and daily stable/soil maintenance tasks, a machine must be able to push, lift, move easily, quickly and safely.

In the construction site as in material handling activities, Neomach is the best ally to maximize the efficiency of every operation. Our products are created to support the professional in his work, side by side.

ONE MACHINE FOR EVERY SITUATION

The Neomach range is intended to work in different industries in a practical, fast and safe way.

Our machines cover the needs of every production sector, in many different situations, always maintaining the highest standards of functionality and technical performance.



YOUR ALL-SEASON PARTNER

Meadows to maintain in spring. Hay to handle in summer. Leaves to collect in autumn. Snow to clear in winter. Tasks that every farmer or gardener faces throughout the year.

Urban and extra-urban areas, sports facilities, parks and public gardens: every municipality has countless spaces that require constant maintenance all year round, sometimes emergency interventions that require flexibility at low cost.

Neomach replaces an entire fleet of single-function machines thanks to its interchangeable attachments, helping both agricultural or municipal operators to decrease their maintenance, storage and labor costs.



Nova^{x30}

Nova X30 is the new multifunctional machine that revolutionizes the segment standards.

The compact size grants efficiency, maneuverability, visibility and high comfort; elements perfectly integrated with the wide range of attachments allowing the most various kinds of use.

Engine	
Engine	Kubota D1305 E4B
Displacement	1.261cc STAGE V
Power	26 HP @ 2600 RPM
Cooling	rear cooler, combined oil/engine



Neomach

Machine	
Transmission	4WD hydraulic transmission, 1 hydr. pump, 4 wheel motors
Hydraulic flow	43 l/min a 200 bar
Tires	Standard tires: 23x10.50-12 agri profile
Driving space	platform suspended on silent blocks; ergonomic joystick linked to the seat; high 360° visibility

Standard equipment	
Central telescopic boom w/ low encumbrance, max lifting height 2860 mm. Tipping load 1240 kg - Lift. capacity straight 1080 kg	
Floating boom, self-levelling, differential lock and anti-cavitation valve	
Hydraulic multiconnector - 1 double acting circuit + 1 oil reflow	
Integrated backweights (2 x 50 kg) additional backweights option (2 x 50 kg)	
2 LED front working lights + 1 rear	

Size and weight	
Weight	± 1610 kg + 100 kg additional backweights
Sizes	Min. size. H 1980 mm - W 980 mm - L 2530 mm



SIMPLE AND PRECISE

MULTIFUNCTIONAL JOYSTICK

Standard equipment. Nova's joystick gives the operator the possibility to control most of the machine's operations in an immediate, intuitive way. The controls are in ergonomic position and allow to activate the various functions in full comfort.

PTO MEMORIZATION

Another standard equipment is the possibility of memorizing the hydraulic flow for the attachment. The required oil flow can be recalled for future operations, making it easier for the operator.

PROPORTIONAL HYDRAULIC SYSTEM

Nova is the first machine in its class to offer a proportional hydraulic system. Through the joystick, the driver has full control of every operation and can count on a device capable of performing movements with extreme precision.

Working with a proportional system means being able to choose with extreme sensitivity the speed of the movements, both to lift and to extend the telescopic boom. The work gets more precise and less stressful for the operator, who has full control of the boom's performance.

The proportional system is standard, handled by a high-quality, fully hydraulic distributor, designed specifically to ensure accuracy and reliability.



The service hydraulic circuit has a continuous flow system - 43 l/min at 200 bar available for boom and equipment, multiconnector with 1 double acting circuit, 1 oil reflow, 1 7-pin socket for 1 electric actuator + 1 electric continuous control.

HYDRAULIC MULTICONNECTOR

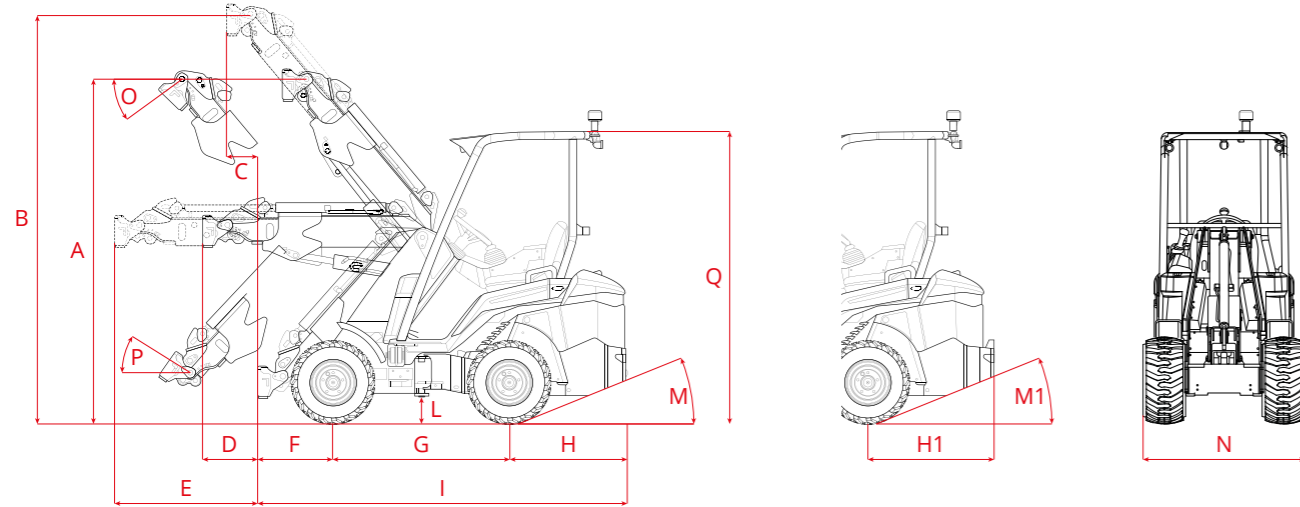
Smoothly designed, the multiconnector makes the connection of hydraulic attachments simple, clean and fast. The quick coupling allows the connection in a few seconds, without fatigue and



minimizing leakages, pressure problems and filth, avoiding damage or contamination of the hydraulic circuit, simplifying the operation and reducing maintenance costs.

COMPACT SIZE

The market requires high-performance machines with small dimensions, suitable for working in narrow spaces: stables, sidewalks, gardens, construction sites.



Nova is a supercompact machine with performance above the existing standards. Containing the dimensions in order to access narrow sites has led to designing one of the most compact machines in its category, but with a performance worthy of the larger series.



Details such as integrated backweights and the foldable rotating beacon help keeping the overall size of the machine to a minimum.

A	Height at pin (boom not extended, standard wheels)	2350 mm
B	Height at pin (boom extended, standard wheels)	2860 mm
C	Max overhang w/boom lifted (extended)	185 mm
D	Max overhang w/horizontal boom (not extended)	390 mm
E	Max overhang w/horizontal boom (extended)	990 mm
F	Front overhang	545 mm
G	Wheelbase	1200 mm
H	Rear overhang	800 mm
H1	Rear overhang w/backweights	861 mm
I	Length	2530 mm
L	Ground clearance (standard wheels)	180 mm
M	Angle of departure	20°
M1	Angle of departure w/backweights	20°
N	Width (standard wheels)	1070 mm
O	Unloading angle	36,5°
P	Loading angle	32°
Q	Height (standard wheels)	1985 mm

Wheels	Height	Length	Lift Height
23x10.50-12	1985 mm	1070 mm	2825 mm
23x8.50-12	1980 mm	980 mm	2820 mm
26x12.00-12	2020 mm	1220 mm	2860 mm
27x8.50-15	2040 mm	980 mm	2880 mm



LIFTING CAPACITY

Nova sets the new standard for the 26 hp multifunctional segment. Thanks to the combined study of design, mechanics and hydraulics, Nova lifts up to 1,080kg up to 1 m and has a tipping load of 1,240kg.

FLOATING BOOM

Neomach NOVA's versatility is also given by the floating boom system in its standard configuration. The advantage in terms of performance is immediately noticeable: the attachment perfectly follows the course of the ground, giving greater freedom of control to the operator and making more efficient and precise all the soil-related tasks, while also avoiding damage to the attachment.

ERGONOMICS AND COMFORT



"Work better". It is one of the basic concepts of NEOMACH machines. The aim is to facilitate the operator in the machine's daily use, as well as to provide new driving comfort solutions.

PLATFORM ON SILENT BLOCKS

NEOMACH's patented silent-block suspension platform frees the driver's seat from stressful vibrations from the chassis and the soil.



This solution allows to use the machine for much longer without fatigue for the operator, making its use more pleasant and increasing the number of working hours without unnecessarily straining the driver.

Tubular steel canopy, ROPS-FOPS certified, with highvisibility design

Adjustable steering column



Standard seat in synthetic leather with safety belt, heating and presence sensor



Digital display with sensors for all the main functions



FULL VISIBILITY

The driving position has been designed to ensure maximum visibility at 360°, especially on the front.

A wide front view is granted by the central boom with low-encumbrance tubes and cylinders. As a result, the operator has the attachments and front wheels in full sight without having to lean out.



The polycarbonate rooftop window (option) frees the upwards view further, ensuring the operator total visibility on the load even during lifting.

SAFETY IS OUR STANDARD

THE SAFEST



Nova is equipped with solutions to prevent hazards and accidents. The presence sensor locks the boom's movements with no operator

on board or when the machine is switched off, so as to prevent any hazard caused by accidental touching of the joystick and subsequent boom descent.

The hydraulic flow to the attachment is also locked when none is on board, so as to prevent accidents and unpleasant injuries.



TIRES



Agri Profile
23x10.50-12
standard



Skid Profile
23x8.50-12
115300001



Garden Profile
23x8.50-12
115300002



Garden Profile
23x10.50-12
115300003



Agri Profile
26x12.00-12
115300008



Skid Profile
26x12.00-12
115300009



Garden Profile
26x12.00-12
115300005



Skid Profile
27x8.50-15
115300004

OPTIONS



Wheel brackets
Wheel brackets kit for transport - 2 PCS
115300007



Additional backweights
50+50kg additional backweights
115300102



Trailer Hitch
Homologated for use in road transit
115990101



Adapter
Adapter Coupling plate for attachments
214020002

OPTIONS



Additional hydraulic system 1 D.A.

1 additional double-acting circuit
115300201



Additional hydraulic system 2 D.A.

2 additional double-acting circuits + 1 electric control
115300202



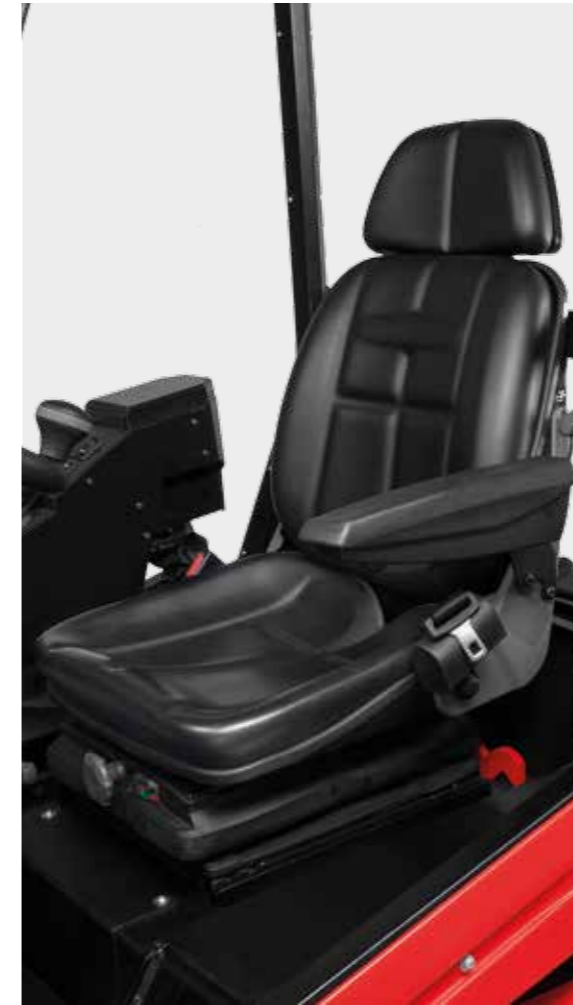
Hydraulic coupling plate

115300103



Rooftop

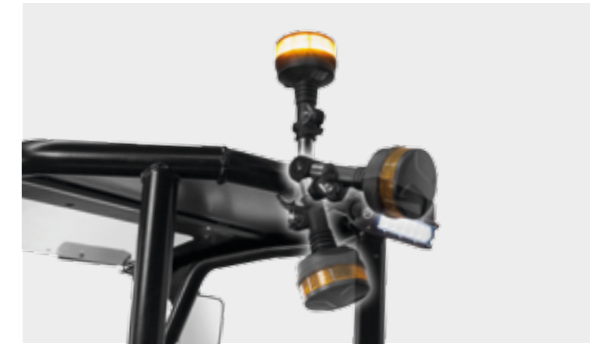
Rooftop window in 10mm polycarbonate - FOPS-certified
115980302



Seat with spring suspension

Adjustable, with head & armrest, presence sensor
and safety belt
115980301

OPTIONS



Beacon

Foldable rotating beacon
115300401



Side glovebox

115300304

OPTIONS



NovaCab

Cab with anti-breaking door, heating, rooftop window, ROPS/FOPS-certified
115100301

OPTIONS



OPTIONS



Road transit kit

Road lights, turn signals, reverse beeper, beacon,
rearview mirrors L/R
115300404



LED stripes

3 LED working light stripes - 2 front, 1 rear
1710 Lumen, in addition to the standard ones
115300403



Mirrors

Pair of rearview mirrors L/R
115300405



USB

12V + Double USB Socket
004990002

OPTIONS



Beeper

Reverse beeper alert
115300402



Comfort mat

For canopy - included in cab version
115300300



ATTACHMENTS

Matching the correct attachment is essential for a good use of the machine. Neomach handles carefully their attachments so that they become a highly performant tool that may highlight the quality of their machines. Everything at the service of the highest efficiency for operators in all sectors.

STANDARD BUCKET



- Conic shape for easy loading
- Side openings for visibility on edges
- Hardox welded blade
- Internal surface without obstacles
- Round Edges for better loading
- Teeth available

Mod.	Code	Width	Depth	Height	Weight	Volume
Standard Bucket 1050 mm	214020005	1050 mm	672 mm	612 mm	68 kg	208 l
Standard Bucket 1150 mm	214020001	1150 mm	672 mm	612 mm	72 kg	230 l
Standard Bucket 1300 mm	214020004	1300 mm	672 mm	612 mm	78 kg	264 l
Teeth for bucket	214990101	Series of 5 removable teeth, allen fixing screws				

4-1 BUCKET



Only basic hydraulic system required.
Opening angle 120°.

Mod.	Code	Width	Depth	Height	Weight	Volume
4-1 Bucket - 1300 mm	214100001	1300 mm	610 mm	740 mm (int. 475)	192 kg	255 l

HIGH VOLUME BUCKET



- More loading surface
- Structured for loading seeds, grains, fodder, etc.
- Internal reinforcement brackets
- Round edges for better loading

Mod.	Code	Width	Depth	Height	Weight	Volume
High volume bucket 1300 mm	214020008	1300 mm	907 mm	834 mm	120 kg	650 l
High volume bucket 1500 mm	214020009	1500 mm	907 mm	834 mm	129 kg	760 l

LEVELER



For leveling sand, gravel, mulch, soil and turf.
Tubular flanks.

Mod.	Code	Width	Depth	Weight
Livella 1200 mm	214020007	1200 mm	1399 mm	95 kg

BALE FORKS



Mod.	Code	Width	Teeth length	Load capacity	Weight
Bale fork w/ 2 teeth	214100801	880 mm	680 mm	600 kg	38 kg
Bale fork w/ 3 teeth	214100805	920 mm	700 mm	700 kg	40 kg
XL Bale fork w/ 2 foldable teeth	214100802	860 mm	1400 mm	800 kg	80 kg

PALLET FORKS KIT



Mod.	Code	Width	Length	Load capacity	Weight
Kit forks + frame - 1100 mm - FEM 1	214030101	1196 mm	1100 mm	1000 mm	45 kg
Rear protection for pallet forks	214030201				

REAR PROTECTION FOR PALLET FORKS



ROUND BALE GRAPPLE



Only basic hydraulic system required.

Code	Max ø bale	Loading capacity	Cylinders	Weight
214100806	1200 mm	700 kg	2	173 kg

SILAGE FORK W/GRAPPLE



Only basic hydraulic system required.

Code	Width	Teeth length	Cylinders	Weight
214100804	1100 mm	700 mm	1	150 kg

BIG BAG LIFTER



Code	Loading capacity	Weight
214100012	1100 kg	105 kg

LOG GRAPPLE



Additional double acting circuit required
Cod. 115300201

Mod.	Code	Loading capacity	Weight
Log grapple with rotor	214100601	1000 kg	120 kg
Log pusher	214100603	-	-

SWEEPER



Only basic hydraulic system required (standard version)

Mod.	Code
Inclination for sweeper	214100202
Collector w/ hydraulic dumping*	214100203
Washing kit for sweeper	214100204
Side brush for sweeper*	214100205

*additional double acting circuit required

Mod.	Code	Brush	Max. work width	Work width at 25°	Weight
Spazzatrice 1500 mm	214100201	∅ 500 mm	1650/1500 mm	1370 mm	125 kg

SNOW BLADE



Only basic hydraulic system required.

Cod.	Width	Height	Max inclination	Weight
214100207	175 mm	60 mm	±30°	140 kg

HEDGE CUTTER



Additional double acting circuit required
Cod. 115300201

Code	Blade length	Max cutting ϕ	Angle	Weight
214100706	1500 mm	30 mm	225°	200 kg

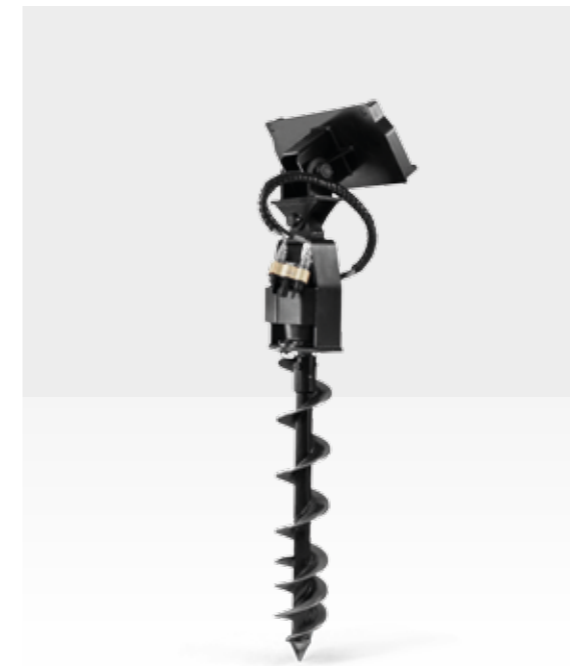
FLAIL MOWER



Only basic hydraulic system required.

Mod.	Code	Ext. width	Cutting width	Max cutting height	Tools	Weight
Flail mower 1100 mm	214100701	1135 mm	980 mm	550 mm	16 (32 blades)	180 kg

SOFT GROUND DRILLS



Only basic hydraulic system required.

Mod.	Code	Weight
Drill ϕ 150 x 1000 mm	214100301	65 kg (rotor)

Soft ground drills - Code	ϕ	Length	Weight
214100302	150 mm	1000 mm	-
214100303	200 mm	1000 mm	-
214100304	250 mm	1000 mm	-
214100305	300 mm	1000 mm	-
214100306	350 mm	1000 mm	-
214100307	400 mm	1000 mm	-
214100308	500 mm	1000 mm	-

MINIDIGGER



Only basic hydraulic system required.

Code	Bucket	Digging depth	Weight
214100011	300 mm	1400 mm	110 kg

HYDRAULIC BREAKER



Only basic hydraulic system required.

Code	Impact	Impact rate	Tool ϕ	Weight
214100402	280 J	800-1750 bpm	40 mm	80 kg

All information and images present in this document have a fully illustrative purpose. The manufacturer is entitled to modify them at any moment without any previous notice. © 2023 Neomach srl. All Rights Reserved.



Via Andrea Palladio, 16
35010 San Giorgio in Bosco (PD) - Italy
T. +39 049 7649134

neomach.com

